

LITRE METER FLOWPOD DISPLAY  
PLEASE SEE FLOWPOD DATA  
SHEET FOR FULL DETAILS  
INCLUDING CERTIFICATION AND  
COMMUNICATION OPTIONS

CABLE ENTRY  
2x 3/4"NPT STANDARD  
2x M20 OPTION AVAILABLE

SUPPLIED AS STANDARD  
1x PLASTIC REMOVABLE BUNG  
1x EXTERNALLY ACCESSIBLE PLUG

TAG LABEL TO BE SUPPLIED  
UPON REQUEST CONTENTS TO  
BE PROVIDED BY CUSTOMER

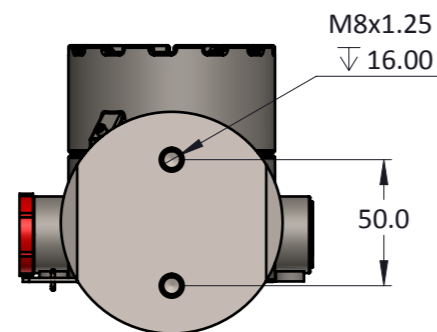
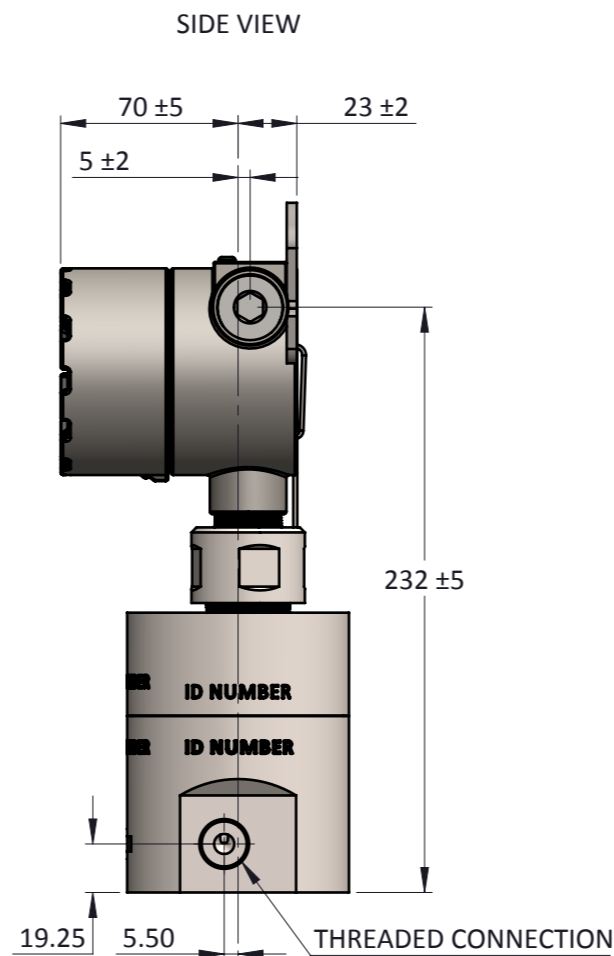
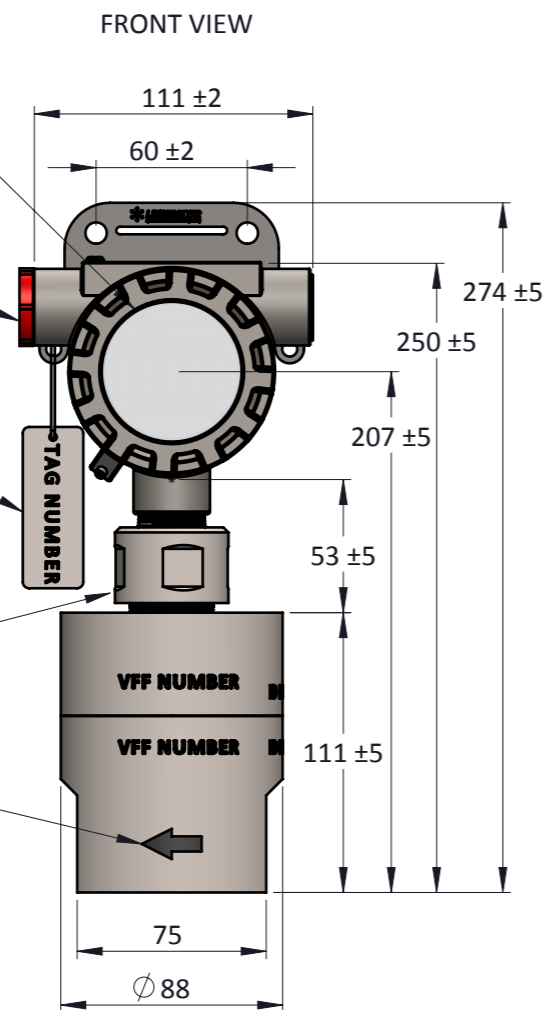
MULTI DIRECTION UNION CAN BE  
TURNED 360° TO ALLOW DISPLAY TO  
FACE ANY DIRECTION

STANDARD FLOW DIRECTION

ID MARKINGS DENOTES  
MATERIAL IDENTIFICATION

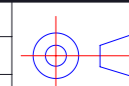
THE METERS ARE CALIBRATED  
IN A HORIZONTAL LINE WITH  
THE METER INSTALLED UPRIGHT.  
THE DISPLAY IS DIRECTLY ABOVE  
THE FLUID CONNECTIONS.

APPROXIMATE WEIGHT  
DUPLEX/SUPER DUPLEX: 9kg  
STAINLESS STEEL 316L/F44: 7kg  
TITANIUM/HASTELLOY: 5kg



**K**

PROJECT NAME	LF03-05-15 CIFM
PROJECT NUMBER	K0001
DRAWING TYPE	SALES



**NOTES:**

PLEASE READ IN CONJUNCTION WITH DRG K0001-SA-014 FOR PARTS LIST AND MATERIAL OPTIONS

MAXIMUM PRESSURE RATING IS SUBJECT TO CONNECTION, SEAL AND MATERIAL OPTIONS SELECTED

METAL C-RINGS ARE REQUIRED FOR PRESSURES GREATER THAN 690BAR

HYDROSTATICALLY PRESSURE TESTED TO 1.5x PRESSURE RATING

THREADED CONNECTION SIZE	STANDARD	Max. PRESSURE RATING (BAR)
1/4"	NPT	550
3/8"	NPT	530
1/2"	NPT	530
3/4"	NPT	500
3/8"	AUTOCLAVE	1380
9/16"	AUTOCLAVE	1380
3/4"	AUTOCLAVE	1380

OTHER CONNECTION SIZES AND THREADED STANDARDS ARE AVAILABLE UPON REQUEST

ISSUE	DRAWN	APPD	DATE	DETAILS OF MODIFICATION
B	KP		18-JAN-2017	UPDATED STANDARDS
A	CI		01-JAN-2015	DRAWING CREATION

Dimensions in mm unless otherwise stated

TOLERANCES x. 1mm x.xx 0.25mm  
x.x 0.5mm x.xxx 0.05mm x° ¼°

**LITRE METER**  
Specialist flow measurement engineering

Website: [www.litremeter.com](http://www.litremeter.com)  
E-mail: [do@litremeter.com](mailto:do@litremeter.com)

Litre Meter Ltd  
Hart Hill Barn  
Granborough Rd  
North Marston  
Bucks MK18 3RZ  
Tel: 01296 670200  
Fax: 01296 670999

MATERIAL:	SEE NOTES
TITLE:	VFF LF SERIES THREADED METER RANGE DIRECT MOUNTED FLOWPOD
STOCK CODE:	LF??-????-TA-??-???? EMA-F-X-X-X-V FLOWPOD-H-??-??-???

GENERAL ARRANGEMENT	DRAWING No <b>K0001-SA-013-B</b>
	Copy No. <input type="text"/>

IF IN DOUBT - ASK

DO NOT SCALE

REPORT ERRORS

Chemraz® is a registered trademark of Greene, Tweed & Co.

© This drawing is copyright and may not be used without permission of its authors for any purpose other than that for which it is published.

Viton® and Kalrez® are registered trademarks or trademarks of E.I. Du Pont de Nemours and Company or its affiliates.